

## APPLIKATOR GRANDÉ



Flexibility in sizes for all your finishing work without a limit

To watch a live demo about our Applikator table, scan the QR code or click on the link

<https://vimeo.com/504396584>

Applikator Grandé 4400 with LED kit



### SIGNIFICANT EFFICIENCY GAIN AND TIME SAVING IN YOUR ADHESIVE MEDIA APPLICATIONS

- Lamination of any kind of adhesive material and mounting up to 65 mm (2 ½") thickness
- Working width 170 cm (67")
- Modular system: base model of 443 cm – 14' 6" expandable by sections of 2,38 m – 7' 10". Chose your size upon order or have it expanded later.
- Electrical motors as the source for controlling the roller's elevation motion and safety control by laser sensor
- Adjustable pressure from both ends of the gantry with 3 pre-set levels for precise pressure application
- Roller stays parallel to the table surface, wherever the media is positionned on the working surface.
- Assembled on site within a few hours by one technician. The table will fit in any working environment, even with narrow access.
- Laminated glass for a smooth diffusion of backlighting. LED lighting system available as an option
- Antistatic, self-healing and phtalate free PVC mat, thickness of 4 mm, cut to the table size, included with the machine
- Adjustable height upon installation 80/90/100 cm – 31 ½"/35 ½" /39"

# APPLIKATOR GRANDÉ

## —• MODULAR AND EVOLUTIONARY SYSTEM

### EVOLUTIONARY APPLIKATOR – WIDTH: 2,05 M – 81”

This modular system is expandable by modules measuring 2,38 m – 7' 10" without limitations, either upon ordering or also field expandable.

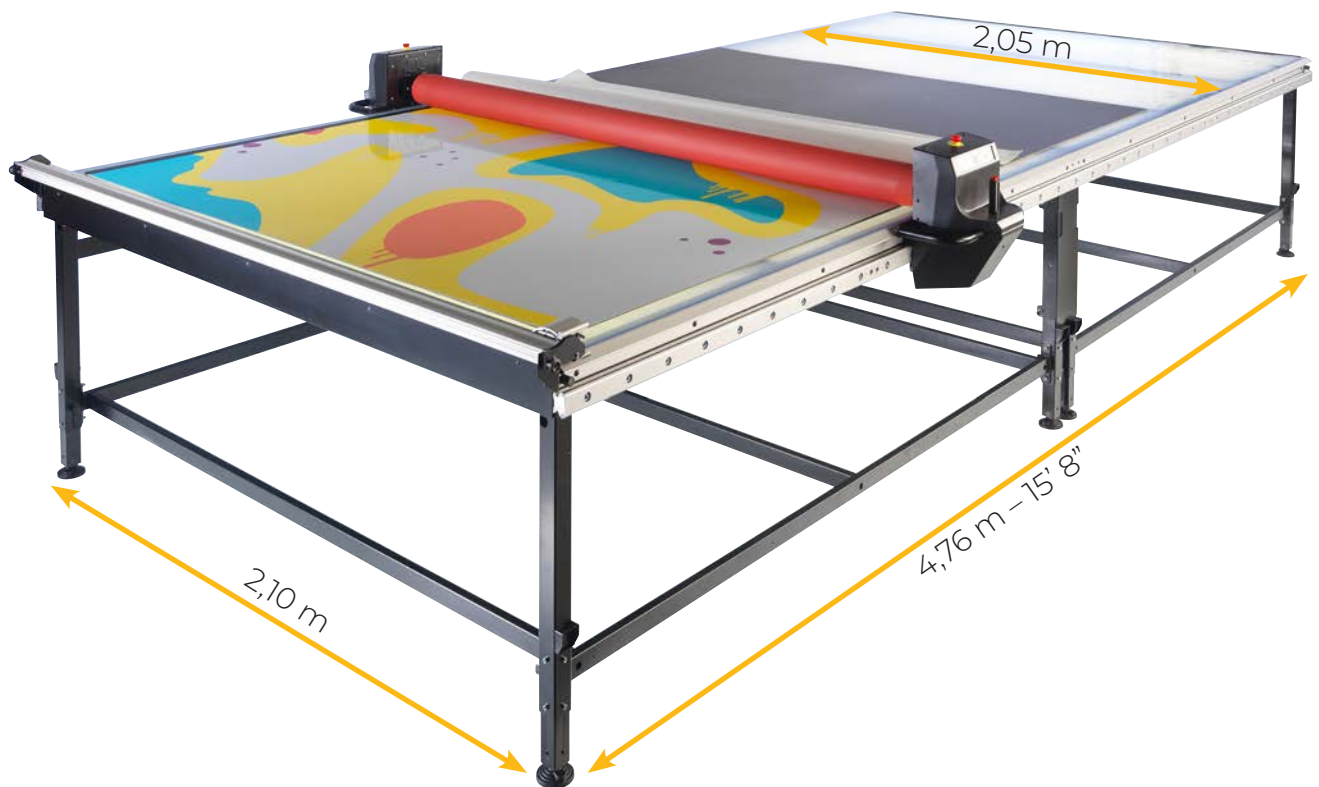
Select the format that suits your needs today without wondering about future needs.

This lamination table can bring a lot of benefits to your operation and will match the evolution of your company.

Length: base module 2,38 m – 7' 10" expandable by the same size of 2,38 m – 7' 10".

Delivered with standard feet.

Use of castors is not suitable with the Grandé range.



Working height can be adjusted upon installation at  
80, 90 or 100 cm  
2' 7 ½", 2' 11 ½", 3' 3 ½"

# APPLIKATOR GRANDÉ

## CUSTOMIZE YOUR LAMINATION TABLE

Give your creative and finishing touch to your AppliKator table by customizing it with your brand logo or decorative design as illustrated in the image below.

Closing panels not supplied with the machine. Cutting drawings are available on demand.



## OPTIONS

### SUPPLY OF ADHESIVE ROLLS

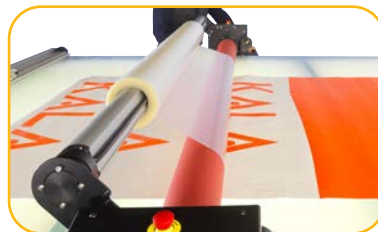
#### APPSUPAXE

Adhesive roll holder



#### APPFREIN

Adhesive roll holder on an aluminium self-blocking shaft. Delivered without shaft



#### AX 2100

Self-blocking shaft in 210 cm - 83"



#### BA 2100 30

Scrolling bar



### STORING & CUTTING

#### STORING SYSTEM

To be installed at the end of the table.

Delivered without shaft



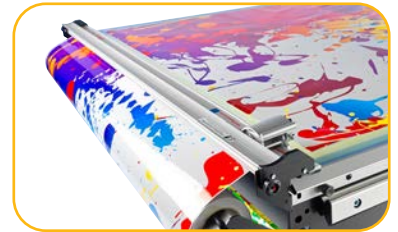
#### SHELF

Adaptable on the long or short edge of the table



#### CUTTING BAR ADAPTATION 210 CM

Perfect for works in series. The cutting bar is easily removable from its location.



#### LED LIGHTING SYSTEM

Directly connected to the power supply of the machine. Improves accuracy for the most demanding jobs.



# APPLIKATOR GRANDÉ



## —• TECHNICAL DATA

	GAPP 4400	GAPP 6800	GAPP 9200
Usable length	445 cm – 14' 6"	683 cm – 22' 5"	921 cm – 30' 3"
Total length	476 cm – 15' 8"	714 cm – 23' 5"	952 cm – 31' 3"
Working width		170 cm – 67"	
Total width		227 cm – 90"	
Adjustable height	Adjustable 80, 90, 100 cm (2 ft 7 ½" – 2 ft 11 ½" – 3 ft 3 ½") upon installation		
Maximum thickness		6,5 cm – 2 ½"	
Material of the working surface		Glass panels	
Antistatic Phtalate free PVC mat		Thickness 4 mm	
Castors option		No	
Voltage		110 & 230 V – 50 / 60 Hz	
Power		400 W	
Weight without LED	670 kg – 1480 lb	1000 kg – 2200 lb	1500 kg – 3300 lb
Shipping size without LED	2 Pallets	3 Pallets	3 Pallets
W x D x H	277 x 52 x 105 cm 109" x 21" x 42"	(x2) = 233 x 72 x 140 cm 92" x 28" x 55"	(x2) = 233 x 72 x 140 cm 92" x 28" x 55"
Shipping weight without LED	900 kg – 1990 lb	1 500 kg – 3 000 lb	1900 kg – 4200 lb

See our total range of products on our web site [www.kala.systems](http://www.kala.systems)

[www.kala.systems](http://www.kala.systems)

**KALA**



**RoHS**