



SummaCut Series™ S Class 2 Series™

World renowned
vinyl and contour cutters

www.summa.eu



Superior vinyl and contour cutters

S CLASS 2™



The Summa S Class 2 cutter has a processor, which is seven times more powerful than its predecessor.

A vibrant color touchscreen, a network port, fast and reliable USB connection and an even faster OPOS sensor make the S Class 2 cutter prepared for many years to come.

Equipped with a new trim and sheet cut functionality, the cutter is now more than ever the perfect companion for large format printers.

Signmaking has evolved, which means, you need equipment that is both flexible and durable. Summa S Class 2 cutters are built on a foundation of rock-solid reliability and offer features to handle virtually any material you feed them with.



S2 75
Drag or Tangential Knife



S2 120
Drag or Tangential Knife



S2 140
Drag or Tangential Knife



S2 160
Drag or Tangential Knife

Advanced cutter for high-volume vinyl and digital print shops

From cutting vinyl to accurate, digital die-cutting to plotting on paper and beyond, the Summa S Class 2 cutter is a do-it-all cutter with the strength to do the job day in and day out.

Like the finely-tuned suspension in a sports car, our precision tracking lets us put more power under the hood to improve your performance. The S Class 2 cutter features a dual servomotor design that cuts amazingly fast, and Summa tracking lets you do it with complete confidence.

The accuracy of our European-crafted cutters is precisely what makes them so durable. Not only do you receive amazing reliability, you also get the confidence of knowing your expensive films and valuable vinyl prints will be cut precisely each and every time.

FEATURES & TECHNICAL SPECIFICATIONS

1. The Summa S Class 2 cutter is unquestionably the world's most advanced cutter. With its **exclusive touch-control panel**, it is also, by far, the easiest to use.
2. **OPOS X contour cutting alignment** delivers OPOS unparalleled accuracy and automation, even on laminated images.
3. The cutting head includes an **automatic cut-off knife**, which can optionally be set as to slice your media at the end of each job.
4. The Summa S Class 2 cutter is standardly equipped with an **Ethernet port** for fast and reliable connection to a network and a **USB stick** can be used to store jobs for later use.

Eight built-in and quickly accessible **user configurations** make switching between different jobs and media fast and easy.



Powerful tangential head



Accurate OPOS X contour cutting



Vibrant color touch screen



Legendary tracking



Quick accessible user configurations



FlexCut feature

Model	S2 75	S2 120	S2 140	S2 160
Dimensions	141 x 68 x 111 cm	187 x 68 x 111 cm	202 x 68 x 111 cm	225 x 68 x 111 cm
Media Width	6 to 84 cm	12 to 130 cm	17 to 145 cm	17 to 168 cm
Cutting Area	74.2 cm x 50 m	120 cm x 50 m	135 cm x 50 m	158 cm x 50 m
	'Oversized' mode allows a wider cutting area : +/- 7 cm			
Repeatability (guaranteed)	Within +/- 0.1 mm on plots: up to 12 m long on rolls up to 760 mm wide* up to 4 m long on rolls over 760 mm wide*			
Accuracy	0.2 % of movement or 0.25 mm, whichever is greater			
Speed	Up to 141 cm/sec diagonal			
Acceleration	Up to 5.5 G diagonal			
Knife Pressure	Drag Knife: Up to 400 grams / Tangential Knife: Up to 600 grams			
Connectivity	USB; Ethernet			
Included Software	Cutter Control software; Winplot™ & MacSign™ Cut cutting software			

*For complete specifications, please visit www.summa.eu



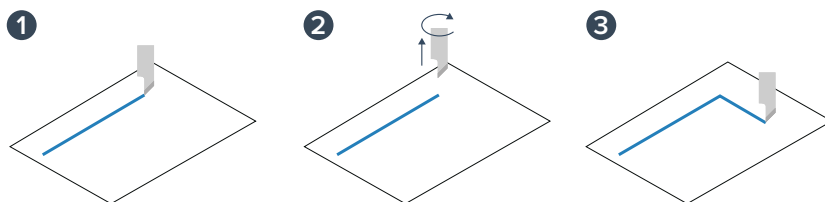
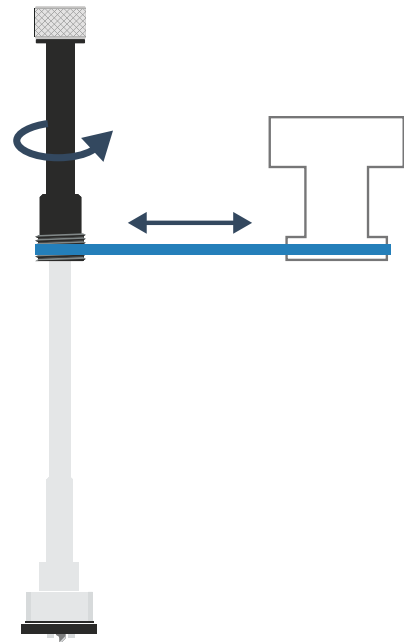
TANGENTIAL KNIFE TECHNOLOGY

Tangential cutting technology guarantees a superior performance compared to commonly used swivel knife techniques. The direction of the Tangential Knife is electronically controlled, enabling the T Series to cut very precisely and with very high pressures.

The perfect cut ensures weeding will be very easy, saving you valuable time. The patented nose piece prevents small pieces from being pushed out of the vinyl while cutting.

With up to 600 grams of cutting force, the Summa S Class 2 cutter powers through heavy sandblast, paint mask and reflective materials with incredible ease, speed and accuracy.

With a T model, you know you can do the job!



Tangential movement

- 1 The Tangential Knife stops cutting right before a corner.
- 2 A motor lifts and re-orientes the blade.
- 3 Once the blade has reached the desired angle, it is lowered and continues to cut the corner.

DOUBLE TIP KNIFE

Summa tangential cutters can also drive Double Tip Knives, which have two cutting edges. This results in the dual tip being much more rigid, which will significantly elongate the knife's lifetime.

When penetrating the material, the dual tip automatically generates an overcut. Especially when cutting highly reflective materials, the extra overcut and rigidity prove their value in this hard, thick material.



OPOS CAMERA

With OPOS-CAM, Summa delivers yet another amazing innovation with the printing industry's first camera recognition alignment solution for friction-driven vinyl drum cutters.

Summa customers in volume-driven workflow environments will now be able to excel against the competition with extremely fast precision and accurate cutting of short or long run contour cutting jobs.

OPOS-CAM is a factory upgrade option now available on all new Summa S Class 2 S75T, S140T and S160T vinyl cutting plotters.

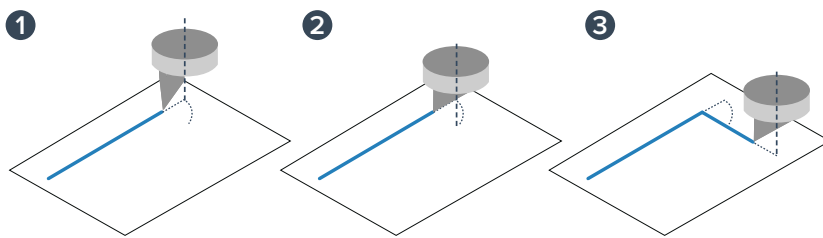


DRAG KNIFE TECHNOLOGY

Its simplicity has made Drag Knife (or swivel knife) technology the most commonly used. An offset parameter defines the distance between the knife tip and the rotating center.

In order to know the position of the freely rotating knife inside the knife holder, a drag movement is made, assuming the knife tip will follow accordingly.

Summa cutters include enhanced methods to optimize this drag movement in order to obtain the best possible cutting quality.



Drag movement

- 1 The Drag Knife stops cutting right before entering a corner.
- 2 The eccentric blade is rotated by performing a drag movement to the desired angle, never leaving the media.
- 3 Once the drag-movement is completed, the corner cutting continues.

DUAL HEAD

As an option, the S Class 2 T Series and the SummaCut Series can be equipped with a cutting head with dual functionality.

This special Dual Head features an extra pen adaptor, instead of the OPOS sensor, allowing you to work alternately with each tool.

The perfect solution for drawing and cutting patterns in one easy step!



MEDIA OPTIONS

A servo-powered roll-up system⁽¹⁾ (S2 160 & S2 140)

After a job is finished, the system will roll up the artwork neatly and prepare the machine for the next unattended job. The integrated paneling feature splits long-length runs into shorter consecutive jobs.

The S Class 2 can, therefore, cut complete rolls unattended and deliver the output nicely rolled-up.



A solid, most effective media rack⁽²⁾ (S2 160 & S2 140)

Note: The roll-up system and the media rack cannot be combined.

Extra pinchrollers⁽³⁾
(S Class 2 T Series & SummaCut Series)
Extra pinchrollers can be installed when required.

Performance vinyl and contour cutters

SUMMACUT®



Since 1996, the SummaCut Series has evolved to become the world's most advanced performance-price leader. The new SummaCut Series is the product of decades of Summa's brilliant European engineering. Numerous refinements have been made, such as the OPOS X technology, which is known from our most advanced S Class 2 cutting plotters. The OPOS X technology is now integrated into a newly designed drag knife cutting head.

The SummaCut Series is capable of reading registration marks for contour cutting on standard materials but also on reflective, holographic or mirroring materials, and on the many different types of laminates being used today.



D60
D60FX



D120



D140
D140FX



D160

Vinyl cutters that set the industry standard for performance and value

The SummaCut cutter features highly complex algorithms to compensate for any deformation of the print using the world's most reliable sensor technology. This makes the SummaCut cutter a winning contour cutter for any sign or print shop.

Summa engineers know there is not a more important vinyl cutter feature than tracking. This is why every cutter we build starts with our exclusive and patented MicroSprocket™ grit roller.

Milled from the finest materials in a unique process assuring each roller has an exacting diameter, we then specially coat each roller to eliminate the risk of wear and oxidation which could degrade tracking over time.

Quality craftsmanship is about more than low price. It is about value. With cutting performance that rivals other top-of-the-line cutters, it doesn't come by surprise that the affordably priced SummaCut D60 is one of the most popular vinyl cutters ever built.

FEATURES & TECHNICAL SPECIFICATIONS

- 1. The large, easy-to-use control panel** allows you to quickly and easily change settings such as speed, pressure and plot mode in order to perform test cuts.
- 2. Our high-speed cutting head** features the utmost accuracy for exceptionally reliable and effortless vinyl cutting.
- 3. Integrated media rollers and roll flanges** load your vinyl straight and keep your media on track, even when cutting at top speed.
- 4. OPOS X contour cutting alignment** means you can die-cut valuable printed vinyl graphics with complete confidence and reliability.



Optical positioning



Accurate OPOS X contour cutting



Flexcut feature



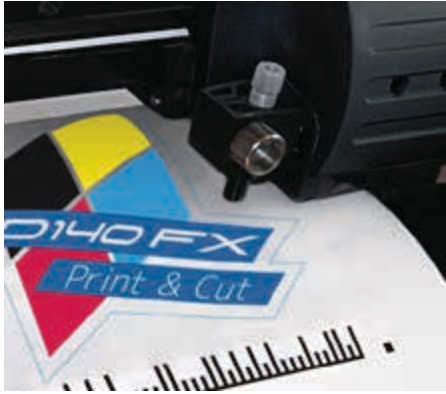
Legendary tracking

Model	D60 (FX)	D120	D140 (FX)	D160
Dimensions	100 x 35 x 30 cm	160 x 68 x 112 cm	175 x 68 x 115 cm	198 x 68 x 114.5 cm
Media Width	7 to 66 cm	12 to 127 cm	18 to 142 cm	18 to 164 cm
Cutting Area** <i>extended mode</i>	60 cm x 50 m** 63 cm	120 cm x 50 m 123 cm	135 cm x 50 m** 138 cm	157.5 cm x 50 m 160.5 cm
Repeatability (guaranteed)	Within +/- 0.1 mm on plots: up to 8 m long on rolls up to 760 mm wide* up to 4 m long on rolls over 760 mm wide*			
Accuracy	0.2 % of movement or 0.25 mm, whichever is greater			
Speed	Up to 113 cm/sec diagonal			
Acceleration	Up to 3 G diagonal			
Knife Pressure	0 - 400 grams, in 5 gram increments			
Connectivity	USB; RS232 (serial)			
Included software	Cutter Control software; Winplot™ & MacSign™ Cut cutting software			

*For complete specifications, please visit www.summa.eu

** SummaCut FX series differ from the regular series, please see the next page for the SummaCut FX series specifications





CONTOUR CUTTING WITH OPOS

The automated contour alignment system OPOS stands for Optical Positioning System. The OPOS X sensor technology senses marks on a wide range of materials.

Some of its features include a fully-automated workflow using barcodes, enabling you to contour cut multiple jobs without intervention.

Another feature automates the contour cutting of multiple sheets with repeating graphics. During this workflow, the OPOS sensor will start to look for marks immediately after a new sheet is loaded.

MULTIPLE MARKS

The strength of OPOS is the unique ability to register multiple marks along a job. This allows our system to contour cut large jobs more accurately.

Compared to a typical 4-point alignment system, which generates inaccuracies in its contour, OPOS scans a minimum of 4 and a maximum of 128 marks, providing much higher precision on large jobs.

Without OPOS



With OPOS



MEDIA BASKET

As the media advances, the output will be neatly collected in a textile basket, optional on D60 and D140FX models, preventing dust and debris from collecting onto the media.

This eliminates the problem of media coming in contact with dirty floors, which could contaminate work surfaces and result in particles being trapped between the vinyl and substrate. The basket also neatly organizes vinyl and other media when processing multiple jobs.

Optional stands for SummaCut D60 (FX)

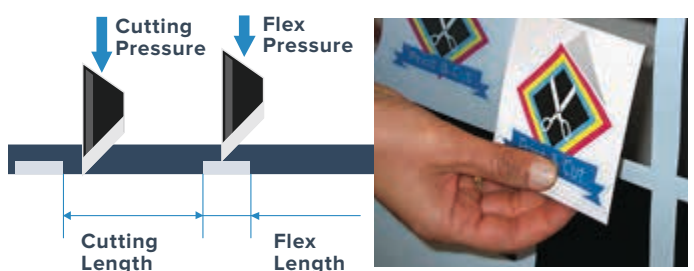
- 1 Sturdy Metal Stand on 4 roller casters (#399-050)
- 2 Sturdy Metal Stand with fabric basket on 4 roller casters (#399-075)



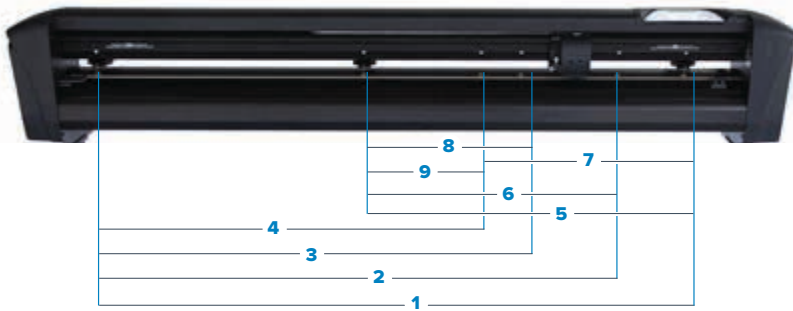
CUTTING THROUGH WITH FLEXCUT

Summa's FlexCut feature enables you to cut simple designs completely through the material. Alternately, one length is cut completely through the material, and one length is cut halfway through.

This way a kind of tear-off line is created, ensuring the material keeps a certain rigidity during transportation through the Summa cutter, while remaining easy to remove from the design afterwards.



D140FX



	1	2	3	4	5
Working Area	1323 mm	1172 mm	954 mm	864 mm	720mm
	570 mm	454mm	350mm	240mm	
Target Media Width	1372 mm	1220 mm	1000 mm.	914 mm	762 mm.
	610 mm	500 mm	400 mm	260 mm	

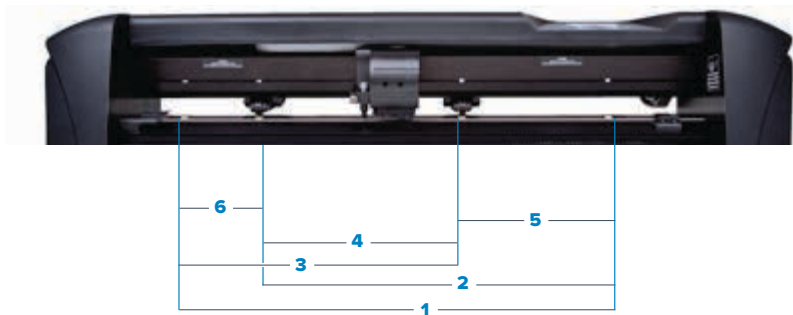
SUMMACUT FX SERIES

Price Breaker

Benefit from all the features of the SummaCut Series at an affordable price.

With pinch roller positions handling most common sizes and an extended cutting mode, the SummaCut FX Series is optimized for most common media sizes.

D60FX



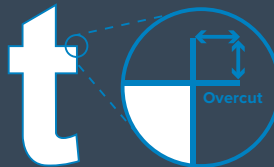
Working Area	Target Media Width
1 575 mm	1 610 mm
2 470 mm	2 500 mm
3 375 mm	3 400 mm
4 270 mm	4 297 mm
5 190 mm	5 210 mm
6 95 mm	6 115 mm

INTERNAL INTELLIGENCE

Summa cutters are loaded with intelligent routines, optimizing the cutting data. All Summa Series use an advanced vector look-ahead technology that cuts complex images and lettering with improved efficiency.

The benefits are extensive. The cutting time is reduced considerably, curves are smoother, and the motors are less loaded, which increases the lifetime of the plotter.

Other intelligent features include:



without OPTiCut with OPTiCut
5 mm character

Overcut

OverCut extends the vector at the beginning and at the end of a curve. This ensures the design is cut through completely. Without the OverCut function, the cut line may not be completely closed, causing difficulties when weeding.

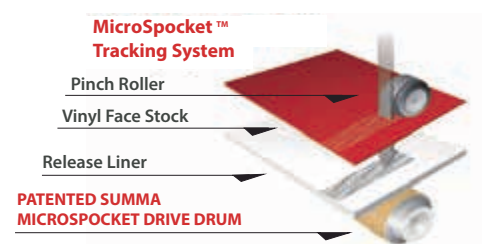
OptiCut

OptiCut, a function specially developed for drag knife cutters, simulates tangential cutting. Due to performance of complex movements, the OptiCut feature compensates for changes in the blade offset, caused by wear and tear. The OptiCut feature makes sure the knife is orientated correctly. This revolutionary technology gives you optimal quality during your blade's lifetime.

MATERIAL TRANSPORT

Tracking is the ability to transport the media through the machine in a repetitive way. This ability makes sure that one single job is cut within specifications, covering the complete guaranteed tracking length. Nevertheless, longer jobs are also accepted by the cutter.

The guaranteed tracking length also indicates the possibility of doing multiple jobs sequentially, exceeding the guaranteed tracking length several times without the need of reloading the media.



Two beats one

UNIQUE BENEFITS OF SUMMA'S DEDICATED CUTTING EQUIPMENT

Greater productivity

Printers with a cutting feature are highly inefficient in workflows that are common in most high volume, full service print and sign shops. Jobs are sent from design to print production. Once printed, images are allowed as much **drying time** as scheduling permits, and then **laminated**. Finally, the images are sent to finishing, which might involve cutting, mounting or other finishing tasks.

Sending jobs back into print production to perform cutting tasks would delay other printing and would significantly limit the capacity of the printer.

On top of that, the **cutting speed** of integrated printer-cutters is much lower than the one on Summa cutters, which will reduce the printing capacity even more.

More Accurate

With modern print techniques, a great deal of **heat** is used, **deforming** the printed material significantly. Cutting after printing without reloading and aligning generates significant shift between the print and the cut line. Long jobs will fail completely.

Alignment systems are limited to a 4-point method while Summa OPOS X can handle up to 128 marks. Therefore alignment systems and built in print-and-cut units are slow, inaccurate and limited in use with different materials and laminates.

More cutting modes

Cutters can do things no printer-cutter is designed to do. That is especially true with Summa cutters. Not only do they perform the simple kiss-cutting, needed to contour cut labels and graphics, but they can also **cut completely through** the backing in order to eliminate the need to manually cut individual labels. Or the user can kiss-cut and cut a separate path that goes through the backing in a single operation to create sheets of labels or large contour cut graphics that do not need to be sectioned manually by the cutter operator. Manual tasks are eliminated, which improves operator productivity and reduces job costs.

More material choices

Professional-grade cutters are far more capable than the light-duty cutting heads on inkjet printer-cutters, and they have more cutting force (grams of down force). Summa cutters can handle **very rigid materials**, such as Lexan over-laminate, floor graphic kits and other thick and semi-rigid laminates. But that is merely one aspect of what separates a dedicated cutter from a printer with a cutting head.

Material tracking in cutters is designed for back-and-forth travel on a sheet of labels. It might go back and forth as many as 50 times. Summa cutters have heavy-duty motors, which can handle the weight of large, laminated prints. Moreover, they cut with much greater consistency, assuring that every label is cut precisely and weeded easily. Many print shops evolved from screen printing and still do both printing and cutting. Summa cutters are optimized for all types of printing and add value throughout the organization.

More than just contour cutting

Cutting involves more than just printed vinyl. **Vinyl graphics** and **lettering** are also commonly produced by shops of all sizes. It makes no sense whatsoever to schedule production of cut vinyl in print production.

You are far better-served with a vinyl cutter that can do all cutting, whether contour cutting or cut vinyl lettering.

That consolidates all cutting and weeding where it belongs: in the cutting department by people that have the tools, space and know-how to cut, weed and apply pre-mask when needed. Doing those tasks in print production is extremely inefficient.



Consumables & Software

SUMMACUT & S CLASS 2 D SERIES



391-332 Knife Holder
dia 1,5 mm



391-231 Blade 60° (1 Pc)
dia 1,5 mm



391-360 Blade 36° (5-pack)
dia 1,5 mm



MP06BK Black fiber-tip
(4-pack) 0,3 mm pens



391-363 Knife Holder
dia 2 mm



391-358 Blade 55° (5-pack)
dia 2 mm



395-430 Roller Ball (5-pack)
Black



395-431 Roller Ball (5-pack)
Blue



391-595 Pouncing kit
SummaCut



395-313 Holder & Pouncing pin
S Class 2 D Series



391-592 Pouncing Pin (1 Pc)



395-434 Universal Pen Holders (2 Pcs)
Copper/Black
Not compatible for extra pen position with dual heads

S CLASS 2 T SERIES



395-348
Standard
Nose Piece



390-534 Blade 36° (5-pack)



391-551 Double Tip
Blade 36° (1 Pc)



390-560 Blade 45° (1 Pc)



395-322 Holder for
Tangential blades



395-330
Dummy
Nose Piece



395-323 Holder for
Drag blades



395-325 Ballpoint



395-324
Holder for Ballpoint



395-376 Fiber-tip Pen



395-347
Low
Nose Piece



390-550 Blade 60° (1 Pc)



395-315 Holder & Pouncing pin (1 Pc)



391-592 Pouncing Pin (1 Pc)



390-553 Blade install tool

GENERAL



391-386 Cutting Strips (1 Pc)
Models : 500 > 760
391-886 Cutting Strips (1 Pc)
Models : 1000 > 1300 &
S2 75 & S2 120



400-565 Cutting Strips (1 Pc)
Models : 1400 > 1600 &
S2 140 & S2 160
391-598 Pouncing Strips (5 m)



391-290 Cut-Off Knife
(1 Pc) Without trackbase



391-510 Core Holders (2 Pc)



391-146 Replacement
Blades (10 Pack)

WINPLOT™ & MACSIGN™ CUT

Winplot

WinPlot is a cutting software utility for the Microsoft Windows operating systems, which is delivered free of charge with every new Summa cutter.

Compatibility: WinPlot supports all Summa cutting devices, including SummaCut and S Class 2. Supported communication ports: USB, Serial (RS 232), Ethernet, Centronics parallel and any printer port installed on your operating system which enables networked printing.

Input: Includes plug-ins for CorelDRAW and Illustrator and imports simplified .eps, .ai and .pdf files from other applications.

Edit: Allows scaling, mirroring and rotating of the design or parts of the design.

Output: Nesting with support of multiple copies: WinPlot automatically rotates and positions different designs as well as multiple copies in order to optimize the use of material.

Paneling: Jobs larger than the media width will be split in panels.
Integration of OPOS: Using Summa's Optical Positioning System has never been easier.

Weeding Box: Automatically generates weeding boxes around cut images

Cutting by color

WinPlot™

MacSign Cut

MacSign Cut is a "bridge" application that imports artwork saved by popular desktop publishing applications (e.g., Illustrator, Freehand, Canvas, CorelDRAW, and so on) and sends them to Summa vinyl cutters. Imported artwork is displayed on the worksheet before processing and can be resized, positioned, mirrored, turned, distorted, duplicated, etc. The tiling feature separates a design into two or more pieces, with user-specified overlaps, and allows you to cut designs larger than cutter width.

After a 30-day trial, free registration is required. MacSign Cut is included with every Summa cutter. Compatible with: Mac OS X (10.5 - 10.10), Mac OS 9





W
HAZARDOUS MOVING
AND OTHER

AT
PARTIES MOBILE
TENIR LES DO
PARTIES DU

SummaCut Series™ S Class 2 Series™

World renowned
vinyl and contour cutters



Summa bvba
Rochesterlaan 6
8470 Gistel
Belgium

www.summa.eu

Copyright 2016© Summa bvba
Marketing Communications. Summa bvba believes that all
illustrations and specifications contained in this catalog are
correct at the time of publication. Summa bvba reserves the
right to make changes at any time, without notice.

RevEN1602 / All rights reserved